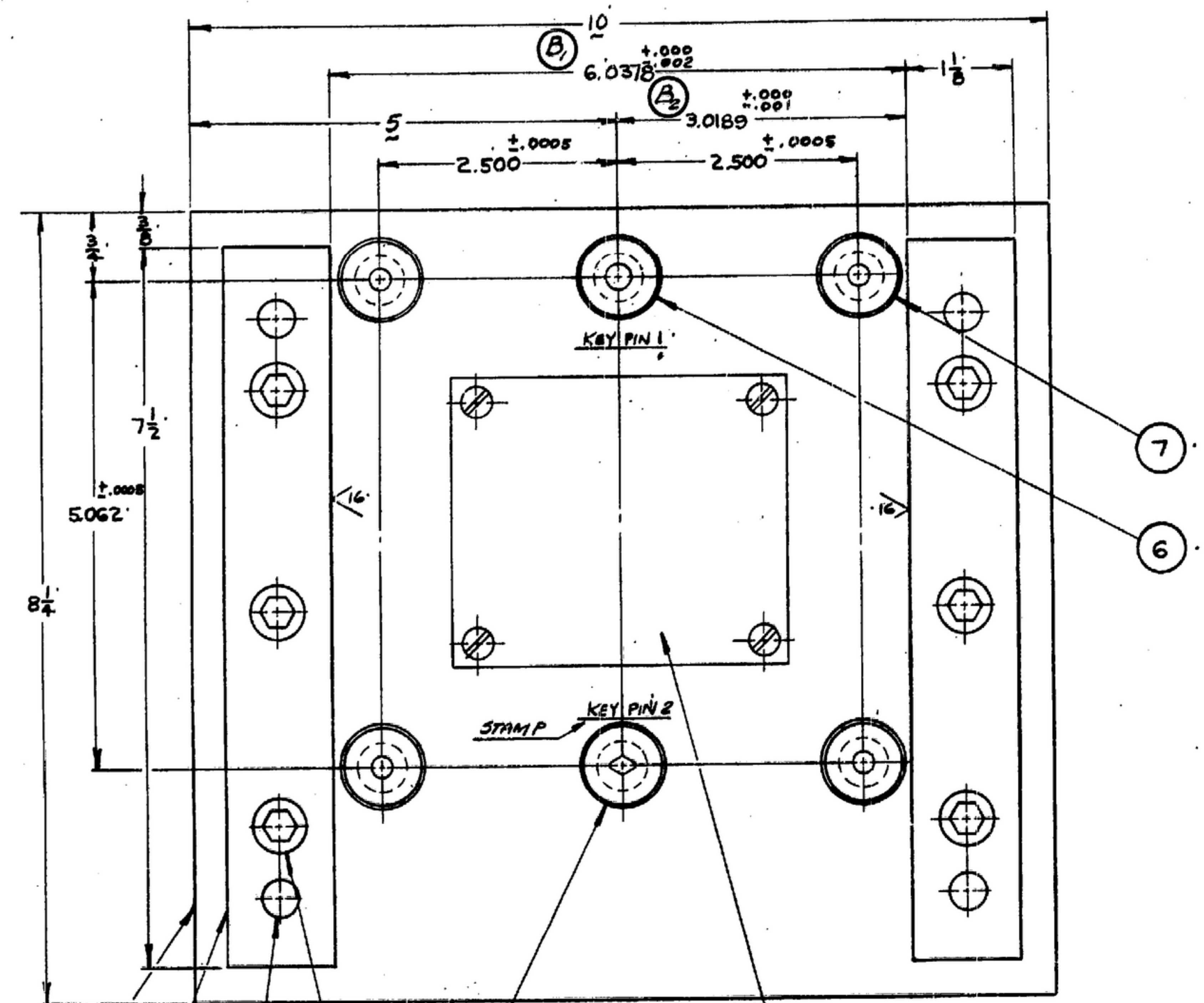


UNLESS OTHERWISE SPECIFIED, DIMENSIONS ARE IN INCHES. DIMENSIONS IN PARENTHESIS ARE IN MILLIMETERS. DIMENSIONS IN BRACKETS ARE IN METERS. DIMENSIONS IN SMALL CAPITAL LETTERS ARE IN MILLIMETERS. DIMENSIONS IN SMALL CAPITAL LETTERS ARE IN METERS. DIMENSIONS IN SMALL CAPITAL LETTERS ARE IN MILLIMETERS. DIMENSIONS IN SMALL CAPITAL LETTERS ARE IN METERS.

THE CONTRACTOR SHALL BE RESPONSIBLE FOR THE PROTECTION AND MAINTENANCE OF THE WORK. THE CONTRACTOR SHALL BE RESPONSIBLE FOR THE PROTECTION AND MAINTENANCE OF THE WORK.

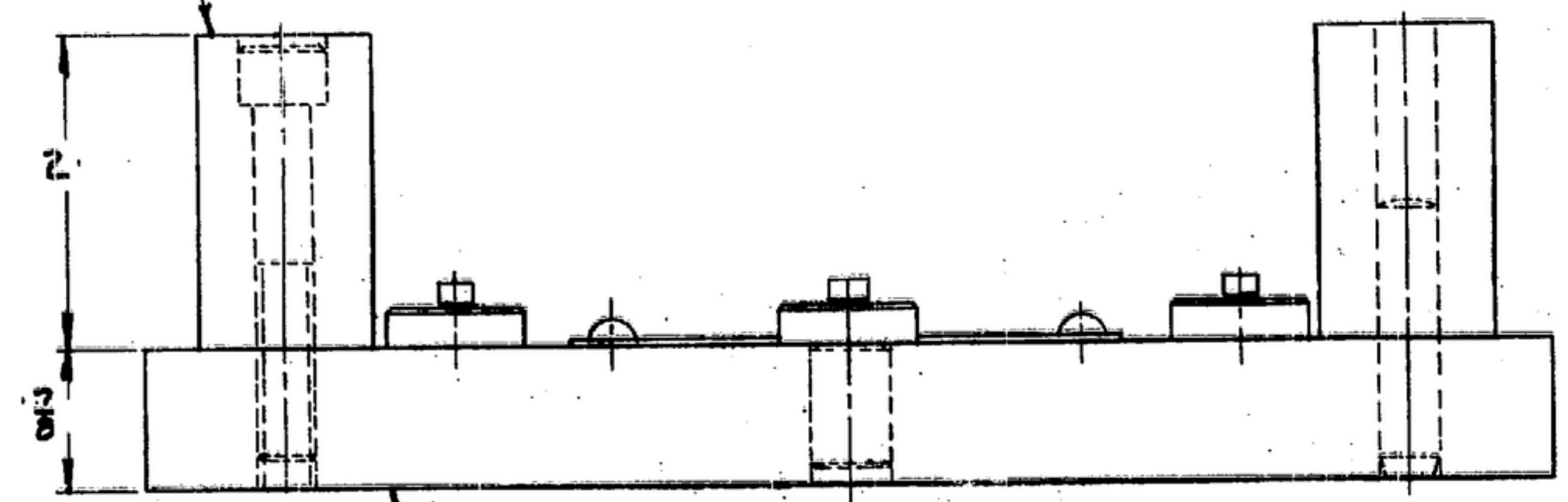
NOTE:
 *FOR INFORMATION ONLY. CONTRACTOR MAY AT HIS OPTION DEVIATE FROM THESE PROCESS DETAILS

BY	DESCRIPTION	DATE	APPROVAL
B.S.	(1) WAS 6.031 (2) WAS 3.0155 (3) WAS 2.466 (4) WAS 2.480 (5) WAS 2.307 ± 0.003	11/26/68	G.M.

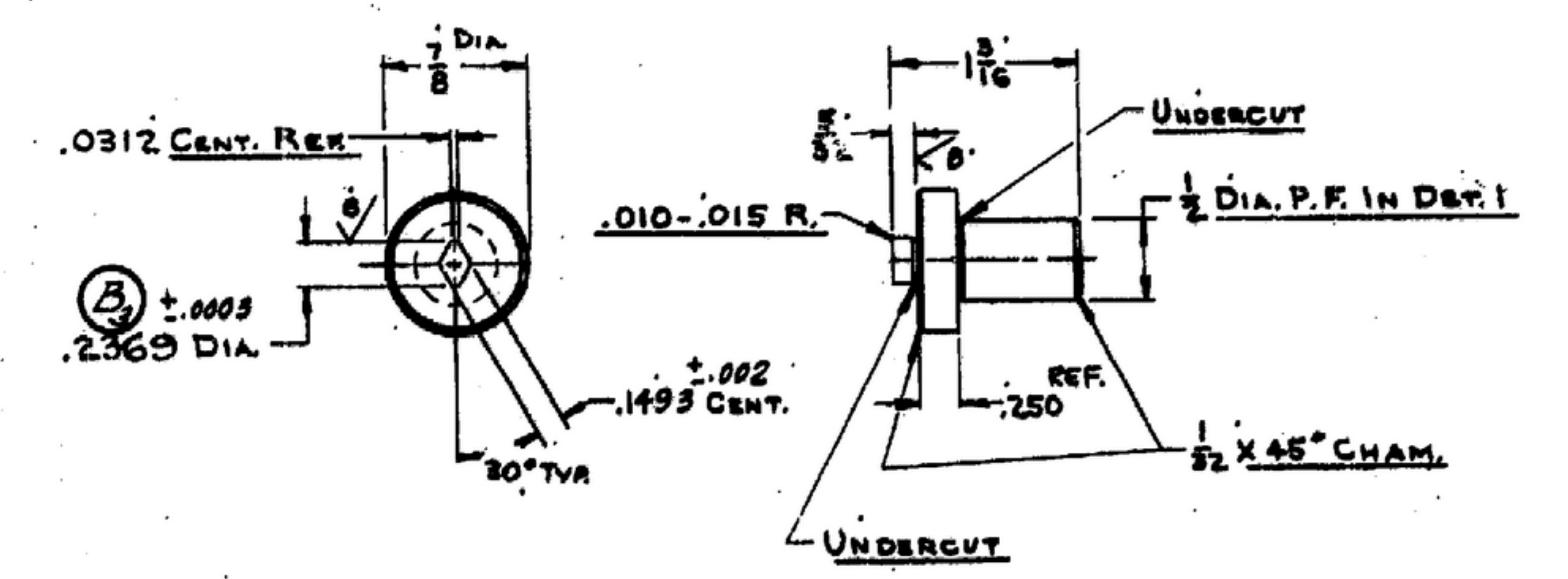
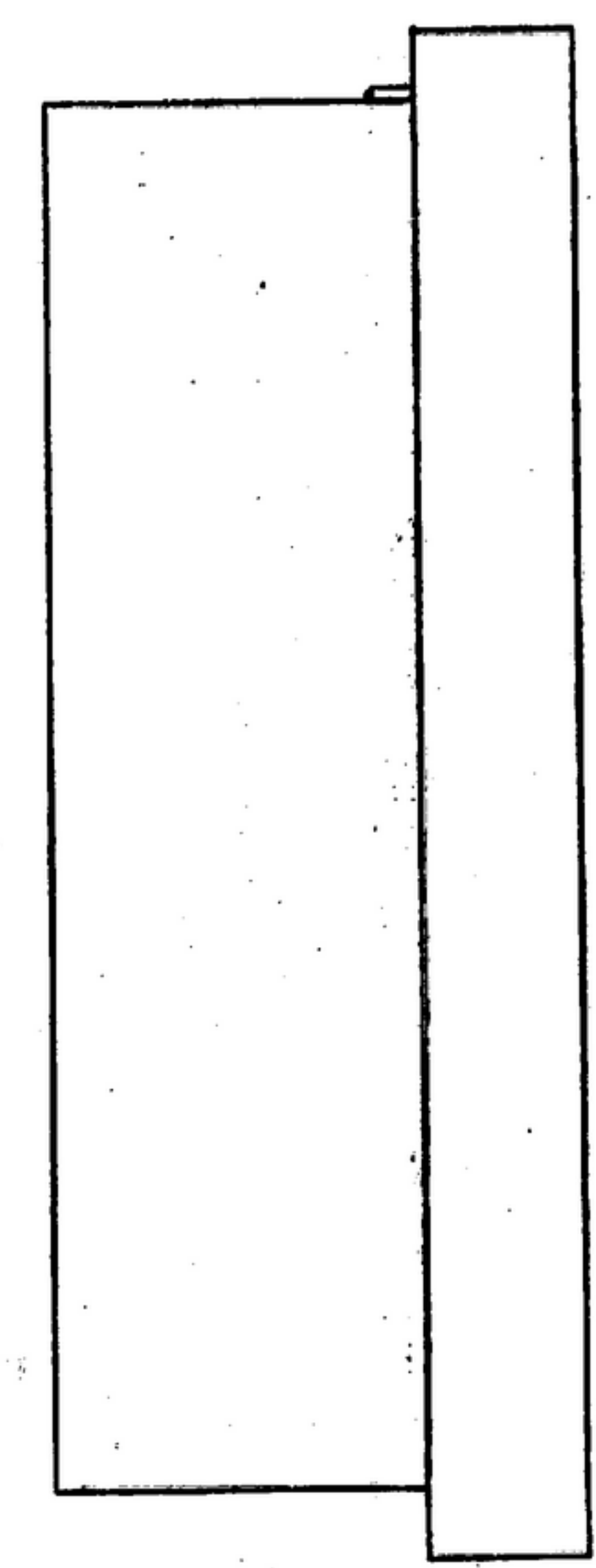


ENGRAVE:
 R-390A/URR
 RECEIVER
 TRANSFORMER
 CHECK MAX OVERALL DIM. &
 LOC. OF 6 MTG. HOLES
 SIG. C. INSP.
 57318
 (MFR'S NAME OR SYMBOL)

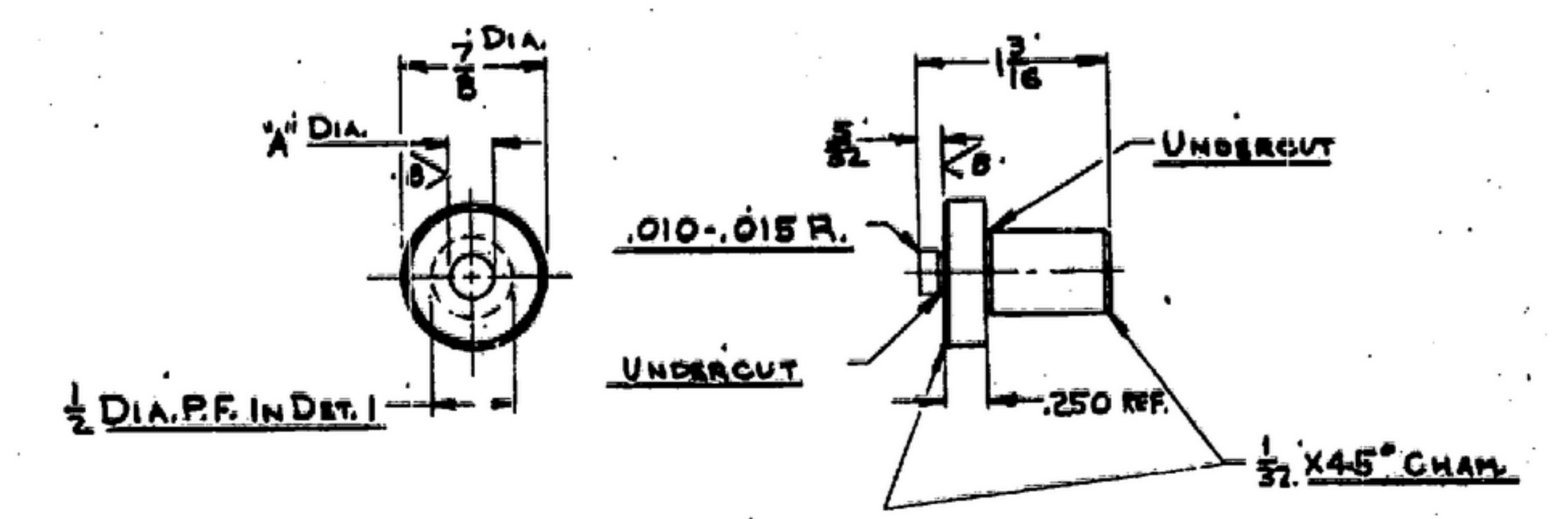
STEEL-NORMALIZED & TEMPERED
 PER SPEC. QQ-S-633
 Rock. C 60-63



STEEL-NORMALIZED PER
 SPEC. QQ-S-633



PIN
 5 1 REQ. - STEEL-F5-A2-PER SPEC
 QQ-S-00778 Rock. C-62 MIN.



PIN
 6 1 REQ. - STEEL-F5-A2-PER SPEC. (A) ±.0000
 QQ-S-00778 Rock. C-62 MIN. (A) = .2428

PIN
 7 4 REQ. - STEEL-F5-A2-PER SPEC. (B) ±.0002
 QQ-S-00778 Rock. C-62 MIN. (A) = .2121

NOTES

- 1
- 2 ALL DIAS ON DETS. 5, 6 & 7 TO BE CONCENTRIC WITHIN .0002 T.I.R.
- 3 A PROTECTIVE FINISH PER SPEC. MIL-G-10944 (ORD) SHALL BE APPLIED TO NON-FUNCTIONING, NON-GASING & NON-LOCATING SURFACES TO PREVENT CORROSION. BLACK OR GRAY COLORS ARE PREFERRED.

QTY	PART NO.	DESCRIPTION	MATL.	MATL. SPEC.	NOTES
7	A	7 PIN 7/8 DIA. X 1 1/8			
6	1	6 PIN 7/8 DIA. X 1 1/8			
5	1	5 PIN 7/8 DIA. X 1 1/8			
4	6	4 3/8-16 X 2 1/4 90% HD. SCR	STEEL		
3	4	3 3/8 DIA. X 1 3/4 DOWEL			
2	2	2 RAIL 1 1/2 X 2 X 7/8			
1		1 SM-D-57318-1 PLATE 1/2 X 3 1/4 X 10			

LIST OF MATERIAL

PIN GAGE

To Check Maximum Overall Dimension Of Power Supply Sub-Chassis, And Loc. Of 6 Mtg. Holes.

DEPARTMENT OF THE ARMY
 SIGNAL CORPS ENGINEERING LABORATORIES
 FORT MONMOUTH, NEW JERSEY
 SM-D-57318

APPROVED: [Signature] P.M.E.
 DATE: 14-10-55
 SCALE: FULL

UNLESS OTHERWISE SPECIFIED DIMENSIONS ARE IN INCHES. DIMENSIONS ON FRACTIONS DECIMALS ANGLES ± 1/32

APPLICATION: [Blank]